

## LED MACHINE LAMP - MEDIUM ARM



### FEATURES

- . Ideal for CNC Machines, Sculptor, Electrical Discharge Machines as well as Laser welder or Grinder etc
- . High Grade profile Structure, Waterproof tape, Glass & other components
- . Universal lighting base & coupled with various attachments
- . Stringently checked on various criterion of performance.
- . Bright, glare free illumination with soft light.
- . Aluminium die casting joint holder & simple & Elegent 270° Adjustment
- . Energy Saver with IP 65 Grade Protection & good heat dissipation.
- . Ideal for temperature fluctuating situations
- . Modular design with Superior Finishing & tamperproof packaging
- . Heat resistant & shock proof & easily mountable
- . Sturdy construction with good electric shock resistance & low power cost
- . Ideal for applications where lighting cannot be attached close to the area to be illuminated
- . Longer functional life

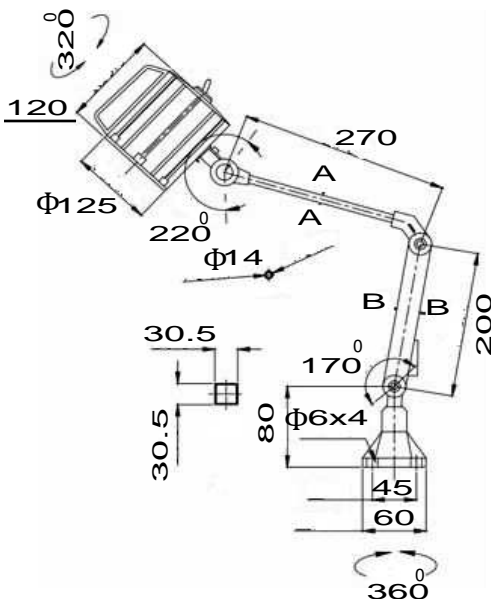
### SPECIFICATIONS

INPUT VOLTAGE	24 V DC / 230V AC
WATTAGE	9W
PROTECTION GRADE	IP65
WORKING TEMPERATURE	0°C to 80°C
LUMENS	1300 Lm
VIEW ANGLE	60°
ARM LENGTH	Medium - 270 x 200 mm
MOUNTING	Fixed by Clamp & Screws(4mm Screw)
BODY MATERIAL	Aluminium Alloy
HEAD ADJUSTING ANGLE	320°
CRI(Ra>)	75
RATED CURRENT	400 mA
AVERAGE LIFETIME	50,000 Hrs
REPLACE BULB	LED MODULE
BASE HOLE DIAMETER	45 x 45 mm
ARM MATERIAL	Engineering Plastic

### ORDERING CODE

MODELS		
SMC - LED9M-24	24V DC	9W
SMC - LED9M-220	220V AC	9W

### DIMENSIONAL DRAWING



\* Dimensions in mm

# SURYA MANUFACTURING COMPANY

AN ISO 9001 - 2015 CERTIFIED COMPANY