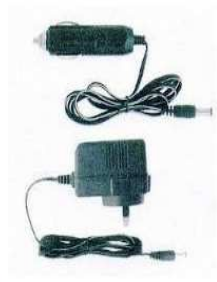


LED RECHARGEABLE HAND LAMP - 230V AC



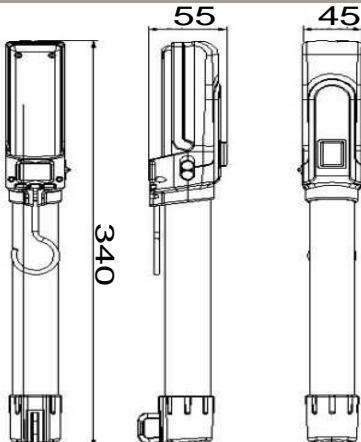
FEATURES

- . Sleek appearance in design & best in utility
- . Use of magnet at rear for fixing with metallic surfaces
- . Energy Saver with IP 54 Grade Protection
- . Heat resistant & shock proof & easily mountable
- . Ideal for temperature fluctuating situations
- . Stringently checked on various criterion of performance
- . Modular design with Superior Finishing & tamperproof packaging
- . Hook can be rotated 360° & easily pulled up
- . High quality integrated chip constant current drive circuit
- . Over discharge protection & High energy Lithium Battery for More Power
- . 120 Light beads protect eyes from instant brightness
- . Grip Make: ABS Plastic & Tube Make: PC with CE, RoHS & FCC Certifications
- . Suitable as automotive work inspection light, emergency light, camping etc.
- . Longer functional life

SPECIFICATIONS

INPUT VOLTAGE	12V - 24V DC / 110V - 230V AC	MODEL	
CAR CHARGER STANDARD	I/P& O/P: 12V -24V DC, 2A Fuse	SMC - EX -25-230-CH	230V AC 340 x 45 x 55
HOME CHARGER STANDARD	I/P:110V -230V AC O/P: 12V, 500mA		* Dimensions(LxWxH) in mm
CRI	82 typical		
LUMINAIRE BODY	EPISTAR LED CHIP		
OPERATING TEMPERATURE	-20 °C to 60 °C		
CHARGING CURRENT	500 mA		
NO. OF LED's	100		
LUMINOUS FLUX	800 LM		
CHARGING TIME	3-4 Hours		
BATTERY STANDARD	Li -ion 18650 2600mAh * 2PCs 7.4V		
BATTERY WORKING TIME	More than 17 Hours		
PROTECTION GRADE	IP54		
LED LIFE TIME	100,000 Hours		
LED TEMPERATURE	6000 - 7000K		
LED INDICATION	RED - Charging / GREEN - Charged		
EMERGENCY DURATION(Hrs)	Super Bright - 4.5 , Medium Bright - 8.5, LowBright - 24		
LAMP POWER	5 W		
WORKING EFFICIENCY	More than 90%		
LED LAMP BEAD	5 mm White LED, Luminous Flux: 8-9 LM		
CABLE LENGTH	5 mtrs		

DIMENSIONAL DRAWING



* Dimensions in mm

SURYA MANUFACTURING COMPANY

AN ISO 9001 - 2015 CERTIFIED COMPANY