



FEATURES

- . Sleek appearance in design & best in illumination
- . Use of magnet at rear for fixing with metallic surfaces
- . Energy Saver with IP 54 Grade Protection
- . Heat resistant & shock proof & easily mountable
- . Ideal for temperature fluctuating situations
- . Stringently checked on various criterion of performance
- . Modular design with Superior Finishing & tamperproof packaging
- . Hook can be rotated 360° & easily pulled up
- . High quality integrated chip constant current drive circuit
- . 120° Light beads protect eyes from instant brightness
- . Grip Make: ABS Plastic & Tube Make: PC
- . Certifications CE, RoHS, FCC
- . Suitable as automotive work inspection light, emergency light, camping etc.
- . Longer functional life

SPECIFICATIONS

| | |
|-----------------------|-----------------------|
| INPUT VOLTAGE | 110V -230V AC |
| CHARGER STANDARD | 100 - 240V AC ADAPTOR |
| CRI | 82 typical |
| LUMINAIRE BODY | EPISTAR SMD LED CHIP |
| OPERATING TEMPERATURE | -20° C to 60° C |
| INPUT CURRENT | 350mA |
| NO. OF LED's | 100 |
| LUMINOUS FLUX | 800 LM |
| PROTECTION GRADE | IP54 |
| LED LIFE TIME | 100,000 Hours |
| LED TEMPERATURE | 6000 - 7000K |
| LED LAMP BEAD | 5 mm White LED, |
| LAMP POWER | 5 W |
| WORKING EFFICIENCY | More than 90 % |
| CABLE LENGTH | 5 mtrs |

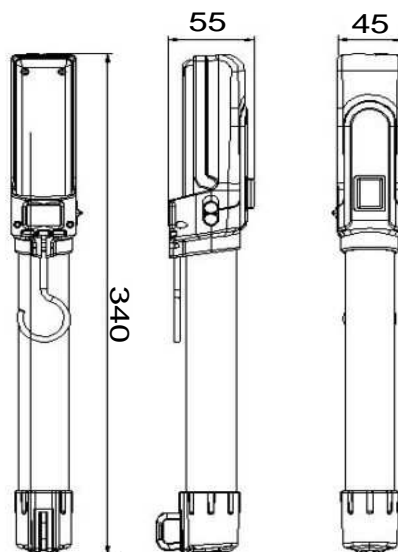
ORDERING CODE

MODEL

| | | |
|---------------------------|---------|---------------|
| SMC - EX -25-230 | 230V AC | 340 x 45 x 55 |
| * Dimensions(LxWxH) in mm | | |

Luminous Flux: 8-9 LM

DIMENSIONAL DRAWING



* Dimensions in mm

SURYA MANUFACTURING COMPANY

AN ISO 9001 - 2015 CERTIFIED COMPANY