



## FEATURES

- . Sleek appearance in design & best in utility
- . Use of magnet at rear for fixing with metallic surfaces
- . Energy Saver with IP 54 Grade Protection
- . Heat resistant & shock proof & easily mountable
- . Ideal for temperature fluctuating situations
- . Stringently checked on various criterion of performance
- . Modular design with Superior Finishing & tamperproof packaging
- . Hook can be rotated 360° & easily pulled up
- . High quality integrated chip constant current drive circuit
- . 120° Light beads protect eyes from instant brightness
- . Grip Make: ABS Plastic & Tube Make: PC
- . Certifications CE, RoHS, FCC
- . Suitable as automotive work inspection light, emergency light, camping etc.
- . Longer functional life

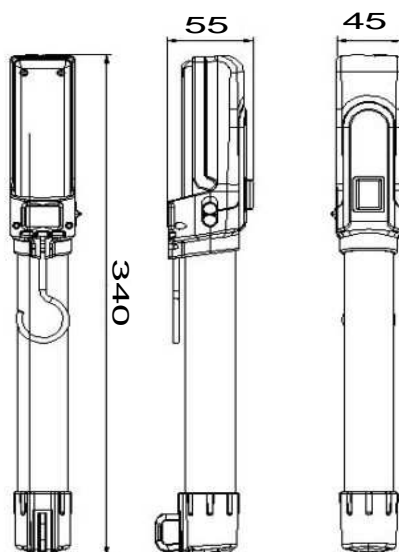
## SPECIFICATIONS

INPUT VOLTAGE	12 - 24 V DC
CHARGER STANDARD	100 - 240V AC ADAPTOR
CRI	82 typical
LUMINAIRE BODY	EPISTAR SMD LED CHIP
OPERATING TEMPERATURE	-20°C to 60°C
INPUT CURRENT	350mA
NO. OF LED'S	100
LUMINOUS FLUX	800 LM
PROTECTION GRADE	IP 54
LED LIFE TIME	100,000 Hours
LED TEMPERATURE	6000 - 7000K
LED LAMP BEAD	5 mm White LED,
CHARGE CURRENT	500 mA
LAMP POWER	5 W
WORKING EFFICIENCY	More than 90 %
CABLE LENGTH	5 mtrs

## ORDERING CODE

<b>MODEL</b>	SMC - EX -25-24	24V DC	340 x 45 x 55
			* Dimensions(LxWxH) in mm

## DIMENSIONAL DRAWING



\* Dimensions in mm

# SURYA MANUFACTURING COMPANY

AN ISO 9001 - 2015 CERTIFIED COMPANY